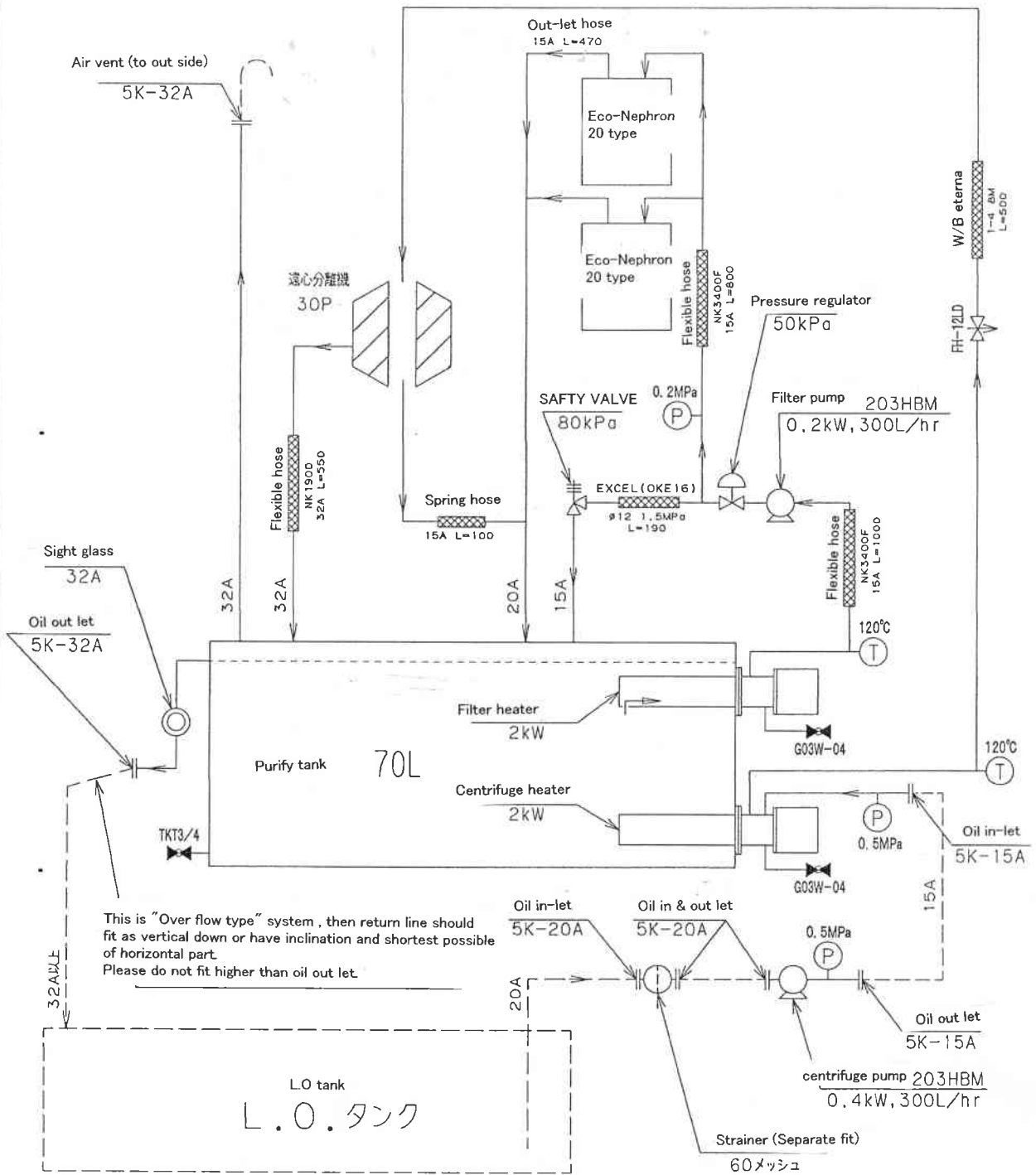


Particular list of Lube Oil purify system
(Type : SR-Z 30P-40HP)

1) Particular dimension	560mm x 800mm x 1,450mm
2) Weight	System main body : 320Kgs Control panel : 45Kgs
3) Tank capacity	70litter (82 litter)
4) Centrifuge	SR-Z 30P 300litters /hour Motor: Hitachi Industrial Machine Co.,Ltd (Bearing 6203ZZ x 2 pcs) 0.4Kw x AC440V x 4P x 60Hz
5) Trochoid pump (For centrifuge)	TOP-2My400-203HBM-VB3 400W x AC440V x 60Hz 300 litters / hour x with pressure regulator (0.3MPa)
6) Trochoid pump (For filter)	TOP-2MY200-203HBM-VB2 300 litters / hour x with pressure regulator (0.2MPa)
7) Electric heater (For centrifuge)	2 Kw x AC400V (with over heat protection)
8) Electric heater (For filter)	2 Kw x AC400V (with over heat protection)
9) Suction strainer	Simplex , 20A x 5 Kg/cm ² with flange 6.5kgs 60 mesh
10) Eco-Nephron	20 type x 2 pcs (can size 300mm x 365mm)
11) Control panel	500mm x 700mm x 200mm
12) Electric power consume	5.0 Kw
13) Pint color	Equipment : 7.5BG 7/2 Control panel : 7.5BG 7/2

Solid line : Our arrange
Dotted line : Customer arrange

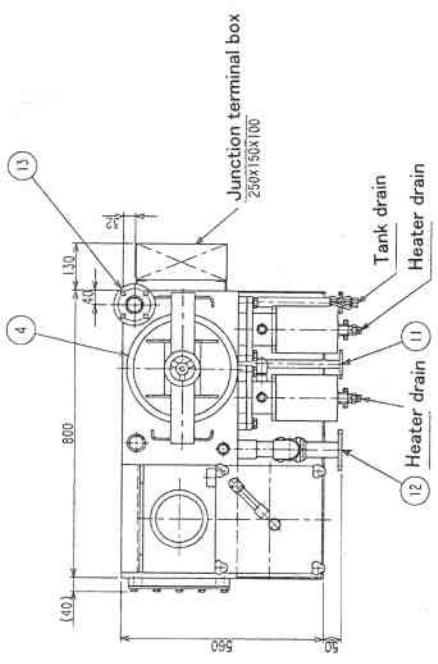
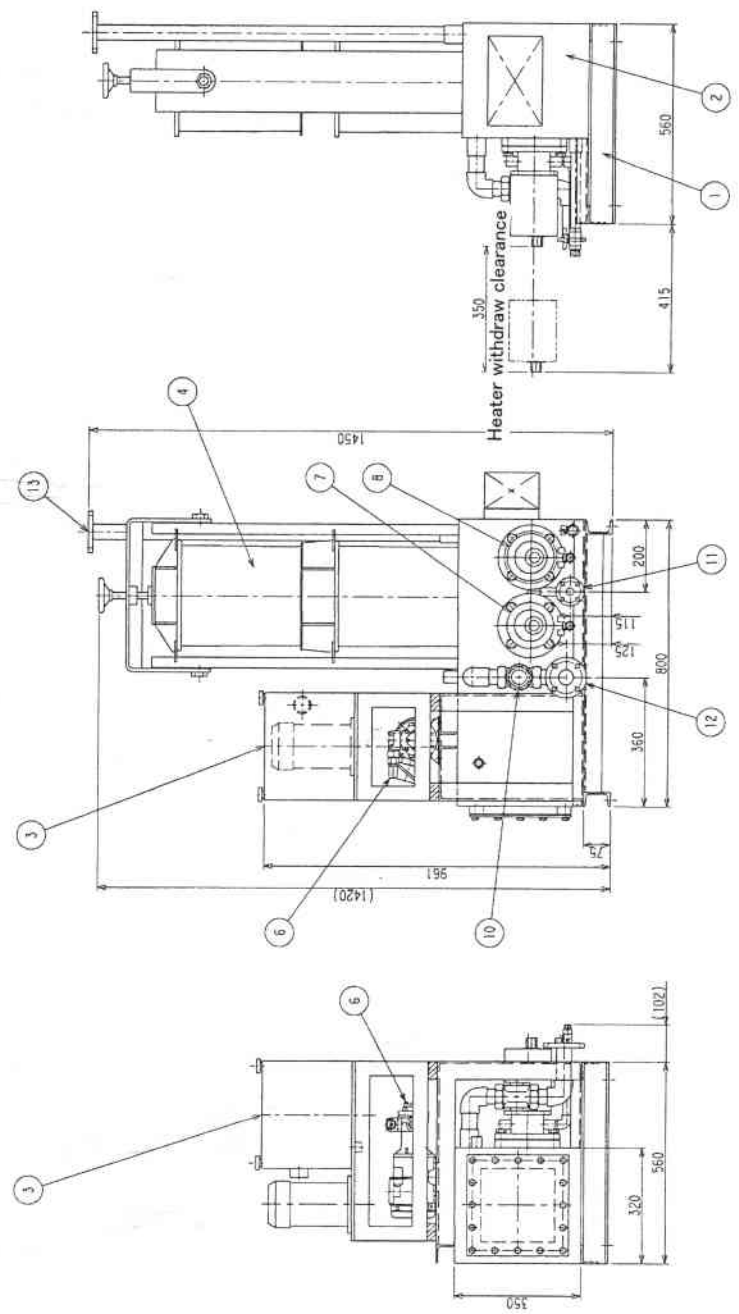


客先 CUSTOMERS		図名 : TITLE	
年月日 DATE 2011年4月7日	尺度 SCALE free	Lube Oil purifier system flow chart	
承認 APPROVED	検図 CHECKED	設計 DESIGNED	製図 DRAWN
蓮子		SR-Z 30P-40HP型	
		図面番号 : DRAWING No. F-2011-005	
株式会社 住本科学研究所 SUMIMOTO SCIENTIFIC INSTITUTE CO., LTD.			

No.	Particular	Parts No.	Material	Q'ty	Remark
14	Control panel	500x700x200	SS400	1	440V
13	Air vent	5K-32A	SS400	1	
12	Oil out let flange	5K-32A	SS400	1	
11	Oil inlet flange	5K-15A	SS400	1	
10	Sight glass	GMS-32A	Cast iron	1	
9	Strainer assembling dwg	0-2009-010		1	20A 60mesh
8	Heater for filter	F10-143		1	2KW
7	Heater for centrifuge	F10-143		1	2KW
6	Filter pump	203HBM		1	0.2KW
5	Centrifuge pump assemble dwg	0-2010-006		1	203HBM, 0.4KW
4	Eco-Nephron	20 type		2	
3	Centrifuge 30P	0-2009-014		1	0.4KW
2	Tank	SS400		1	70L(82L), 6t
1	Cradle	SS400		1	75 x 45 x 2

Drawing title
Lube Oil Purify System
Drawing No.
M-2011-004

Weight : 320 kg



Foundation size
基礎 75x40x5

